

49 Life Sciences Parkway • Steinbach, MB R5G 2G7
Phone: 1-800-775-0018 • (204) 320-1801
Fax: (204) 346-1450
Email: info@urbanpark.com
Visit Us At: www.urbanpark.com

urban park

SPECIFICATION SHEET

Green Acres Series Ash Urn

OPTION 'A' (Mounting)

- Surface Mount
- Free Standing

OPTION 'B' (Side Panel)

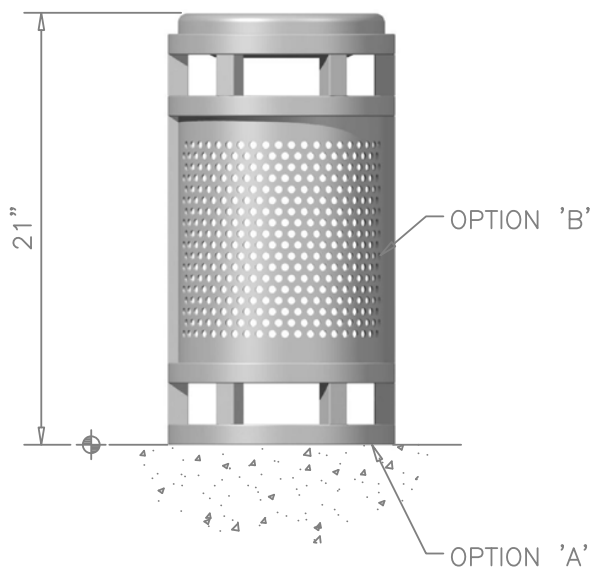
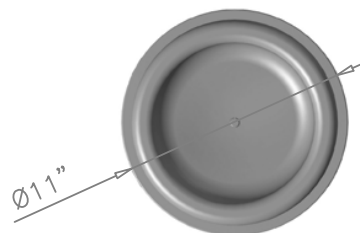
See Attached Page

OPTION 'C' (Finish)

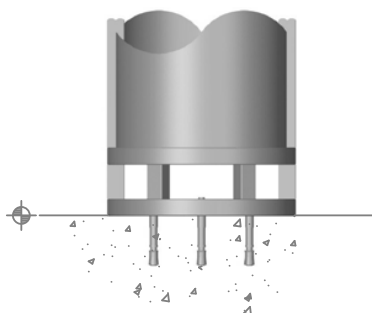
- Galvanized
- Powder Coat (includes Autophoretic Coating)
- Stainless Steel # 4 Polish

General Notes:

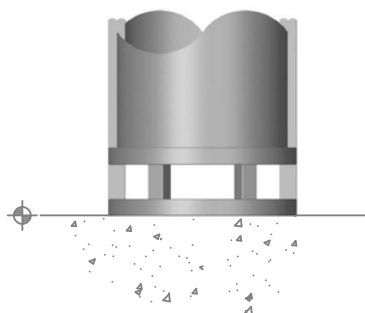
- 1.) Customer responsible for installation.
- 2.) Do not scale drawing.
- 3.) Surface mounted ash urn, with perforated mesh side panel shown.



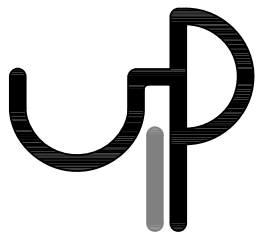
ASH URN
GREEN ACRES SERIES



SURFACE MOUNT
OPTION 'A'



FREE STANDING
OPTION 'A'

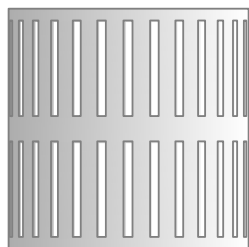


49 Life Sciences Parkway • Steinbach, MB R5G 2G7
Phone: 1-800-775-0018 • (204) 320-1801
Fax: (204) 346-1450
Email: info@urbanpark.com
Visit Us At: www.urbanpark.com

urban park

SPECIFICATION SHEET

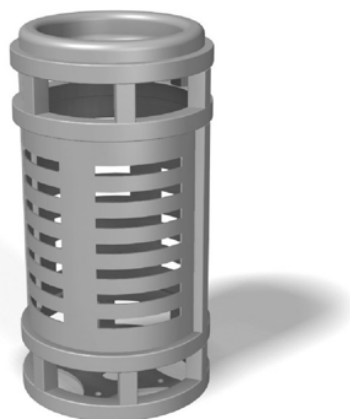
Green Acres Series Ash Urn



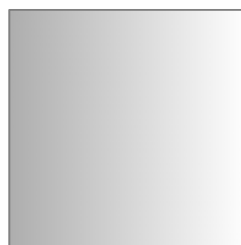
Vertical Slot



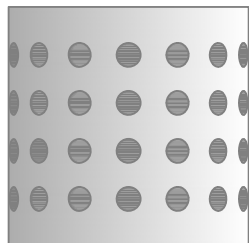
Perforated Mesh



Horizontal Slot



Solid



Embossed



Custom