

49 Life Sciences Parkway • Steinbach, MB R5G 2G7  
 Phone: 1-800-775-0018 • (204) 320-1801  
 Fax: (204) 346-1450  
 Email: info@urbanpark.com  
 Visit Us At: www.urbanpark.com

**urban park**

# SPECIFICATION SHEET

## Harborview Series Bicycle Rack

### OPTION 'A' (Capacity)

- 2 Bicycle Capacity (26" Long)
- 4 Bicycle Capacity (47" Long)
- 6 Bicycle Capacity (69" Long)
- 8 Bicycle Capacity (90" Long)
- 10 Bicycle Capacity (112" Long)

### OPTION 'B' (Mounting)

- Embedded
- Surface Mount

### OPTION 'C' (Hanger Style)

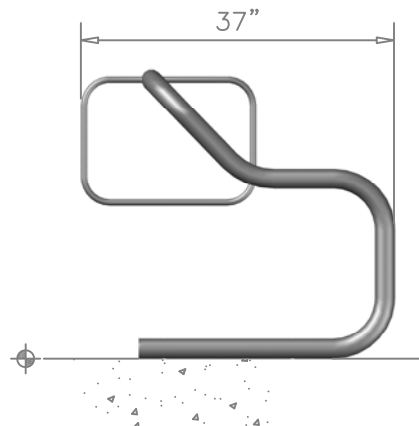
- Square
- Triangular

### OPTION 'D' (Finish)

- Galvanized
- Powder Coat (includes Autophoretic Coating)
- Stainless Steel # 4 Polish

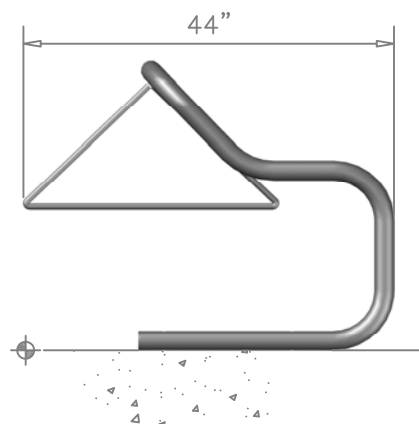
### General Notes:

- 1.) Customer responsible for installation.
- 2.) Do not scale drawing.
- 3.) Bicycle rack detail shown with embedded & surface mount options for clarity. Rack mounting not manufactured as depicted.
- 4.) 6 bicycle capacity rack with square hangers shown.



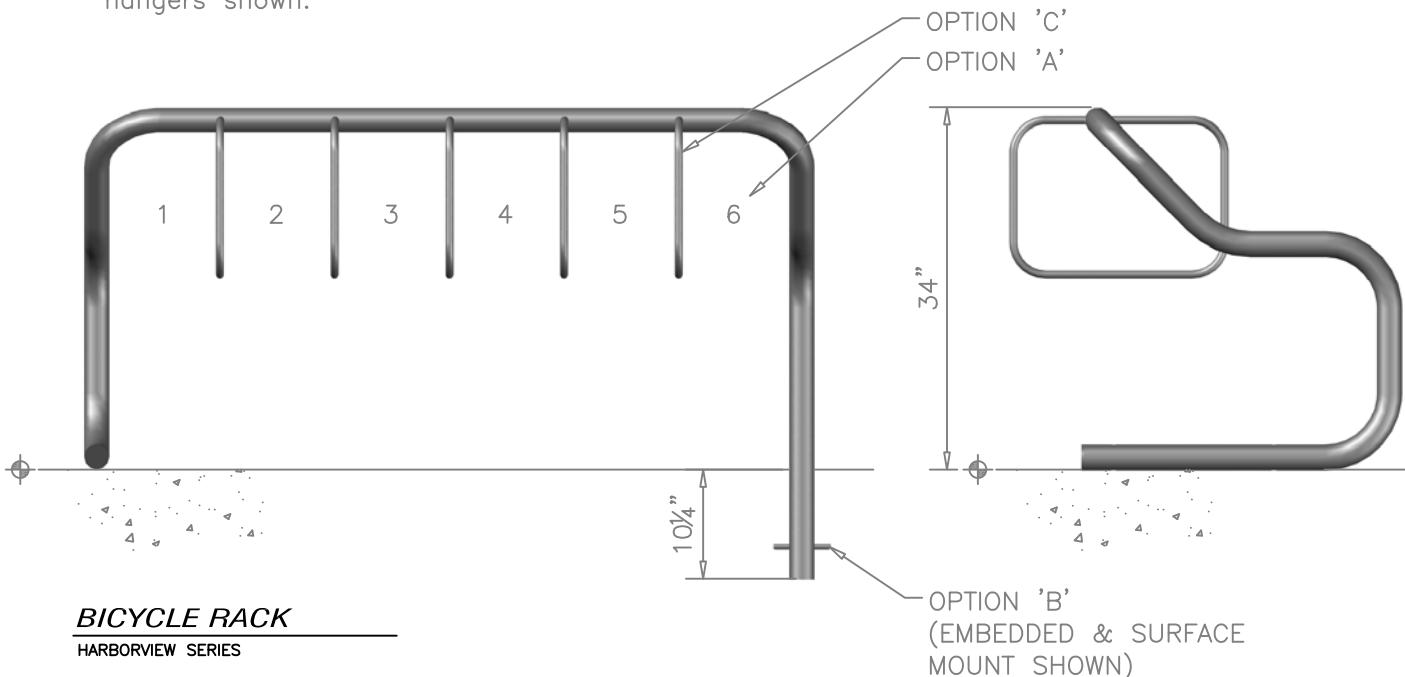
**SQUARE HANGERS**

OPTION 'C'



**TRIANGULAR HANGERS**

OPTION 'C'



**BICYCLE RACK**  
HARBORVIEW SERIES

OPTION 'B'  
(EMBEDDED & SURFACE  
MOUNT SHOWN)