

49 Life Sciences Parkway • Steinbach, MB R5G 2G7
 Phone: 1-800-775-0018 • (204) 320-1801
 Fax: (204) 346-1450
 Email: info@urbanpark.com
 Visit Us At: www.urbanpark.com

urban park

SPECIFICATION SHEET

Brighton Pier Series Litter Receptacle

OPTION 'A' (Mounting)

- Embedded
- Surface Mount

OPTION 'B' (Litter Removal)

- Stationary Receptacle (Hinged Lid)
- Tilting Receptacle (Stationary Lid)

OPTION 'C' (Side Panel)

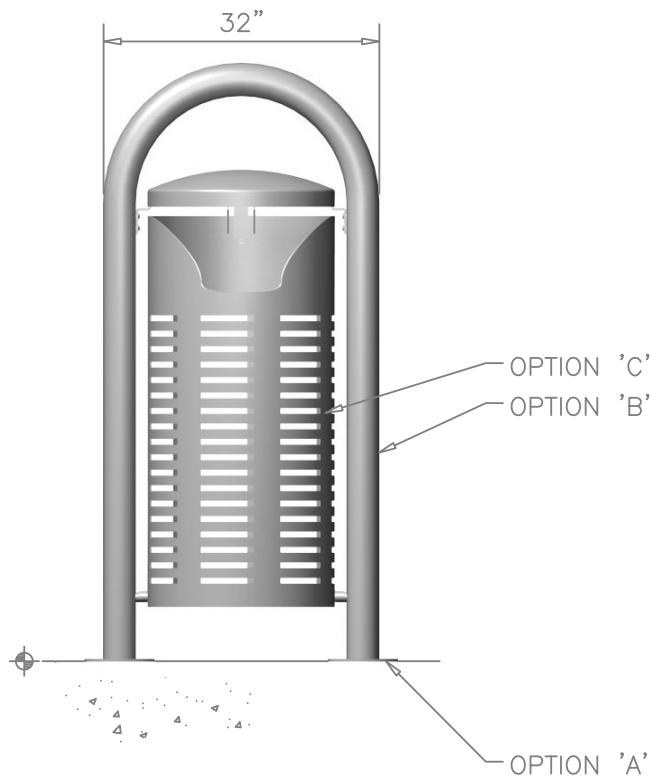
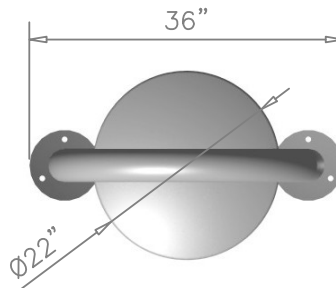
See Attached Page

OPTION 'D' (Finish)

- Galvanized
- Powder Coat (includes Autophoretic Coating)
- Stainless Steel # 4 Polish

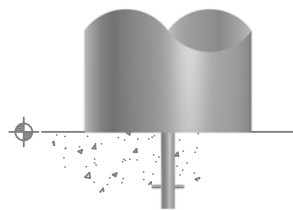
General Notes:

- 1.) Customer responsible for installation.
- 2.) Do not scale drawing.
- 3.) Finished height of litter receptacle depends on requested litter removal.
- 4.) Surface mounted, tilt receptacle, with horizontal slot side wall shown.



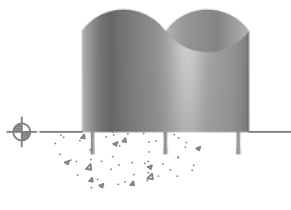
LITTER RECEPTACLE

BRIGHTON PIER SERIES



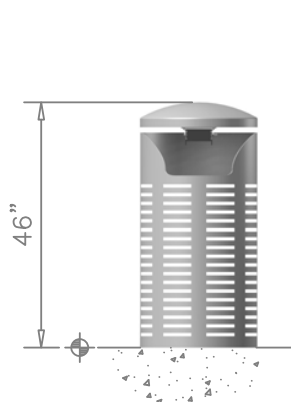
EMBEDDED

OPTION 'A'



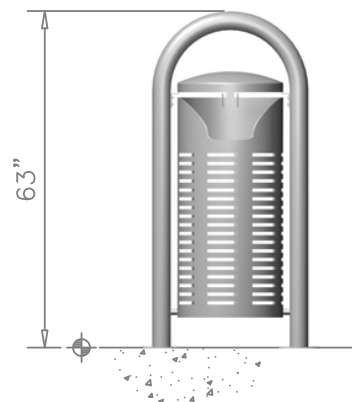
SURFACE MOUNT

OPTION 'A'



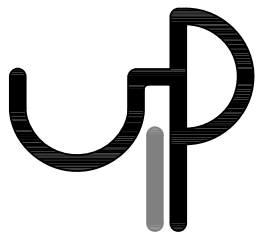
STATIONARY

OPTION 'B'



TILTING

OPTION 'B'

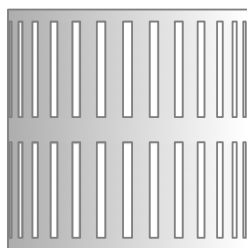


49 Life Sciences Parkway • Steinbach, MB R5G 2G7
Phone: 1-800-775-0018 • (204) 320-1801
Fax: (204) 346-1450
Email: info@urbanpark.com
Visit Us At: www.urbanpark.com

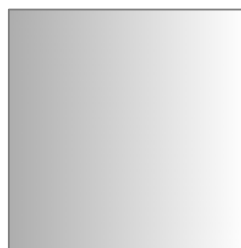
urban park

SPECIFICATION SHEET

Brighton Pier Series Litter Receptacle



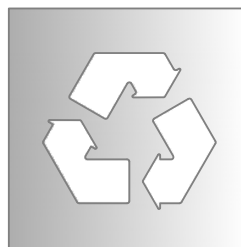
Vertical Slot



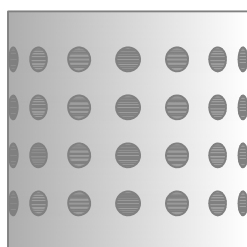
Solid



Horizontal Slot



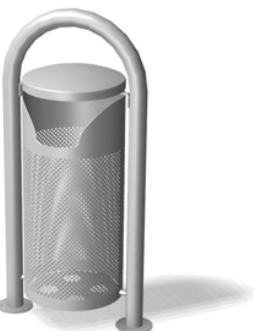
Recycling Logo



Embossed



Custom



Perforated Mesh