

49 Life Sciences Parkway • Steinbach, MB R5G 2G7
 Phone: 1-800-775-0018 • (204) 320-1801
 Fax: (204) 346-1450
 Email: info@urbanpark.com
 Visit Us At: www.urbanpark.com

urban park

SPECIFICATION SHEET

Fairmont Series Bicycle Rack

OPTION 'A' (If Option 'D' is Extended)

- 3 Bicycle Capacity
- 5 Bicycle Capacity
- 7 Bicycle Capacity

OPTION 'A' (If Option 'D' is Standard)

- 3 Bicycle Capacity
- 5 Bicycle Capacity
- 7 Bicycle Capacity
- 9 Bicycle Capacity
- 11 Bicycle Capacity

OPTION 'B' (Mounting)

- Embedded
- Surface Mount

OPTION 'C' (Material)

- Round Tubing (1 1/4" Sch. 40 Pipe)
- Round Tubing (2" Sch. 40 Pipe)
- Square Tubing

OPTION 'D' (Loop Width)

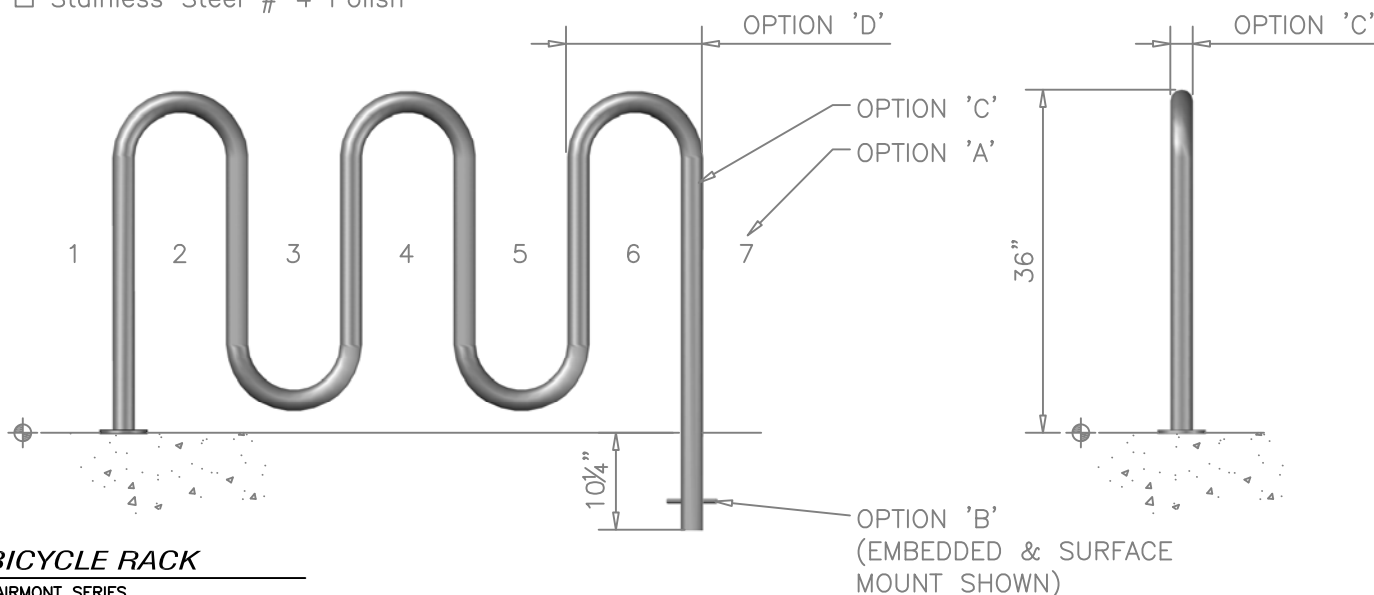
- Standard (13 5/8", 14" or 14 3/8")
- Expanded (18 3/16", 21 3/8" or 21 1/2")

OPTION 'E' (Finish)

- Galvanized
- Powder (includes Autophoretic Coating)
- Stainless Steel # 4 Polish

General Notes:

- 1.) Customer responsible for installation.
- 2.) Do not scale drawing.
- 3.) Bicycle rack detail shown with embedded & surface mount options for clarity. Rack mounting not manufactured as depicted.
- 4.) 7 Bicycle capacity rack with round tubing (2" Sch. 40 pipe) at standard width shown
- 5.) Option 'D' (loop width) standard width, changes depending on size of option 'C' (material) selected. Overall length varies accordingly.
- 6.) Option 'D' (loop width) expanded width, not available with option 'C' 1 1/4" Sch. 40 pipe.
- 7.) If Option 'D' is Extended, Bicycle capacity is a maximum of 7.
- 8.) If Option 'D' is Standard, Bicycle capacity is a maximum of 11.



BICYCLE RACK
 FAIRMONT SERIES