

49 Life Sciences Parkway • Steinbach, MB R5G 2G7
 Phone: 1-800-775-0018 • (204) 320-1801
 Fax: (204) 346-1450
 Email: info@urbanpark.com
 Visit Us At: www.urbanpark.com

urban park

SPECIFICATION SHEET

Belle Isle Series Picnic Table

OPTION 'A' (Length)

- 4'-0"
- 6'-0"

OPTION 'B' (Mounting)

- Embedded
- Surface Mount

OPTION 'C' (Seat Pan & Table Top)

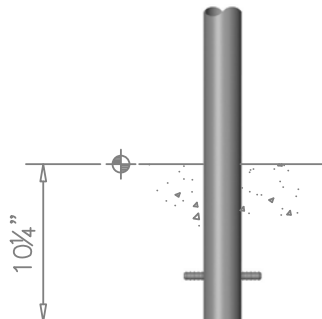
See Attached Page

OPTION 'D' (Finish)

- Galvanized
- Powder Coat (includes Autophoretic Coating)
- Stainless Steel # 4 Polish

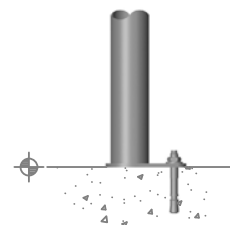
General Notes:

- 1.) Customer responsible for installation.
- 2.) Do not scale drawing.
- 3.) 6'-0" picnic table, surface mounted with perforated mesh seat pan and table top shown.



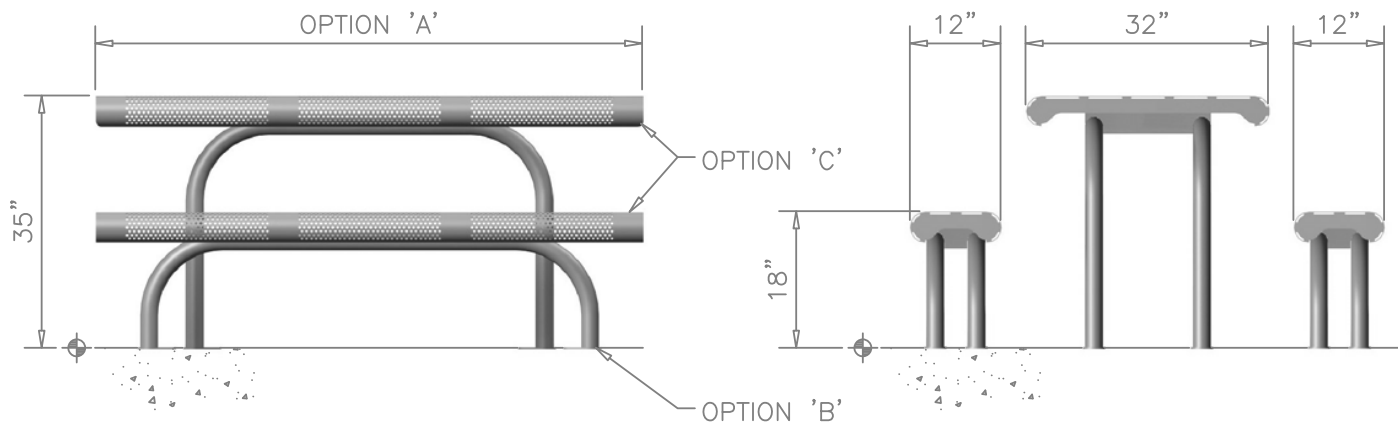
EMBEDDED

OPTION 'B'

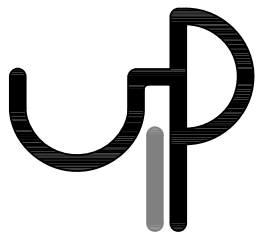


SURFACE MOUNT

OPTION 'B'



PICNIC TABLE
 BELLE ISLE SERIES

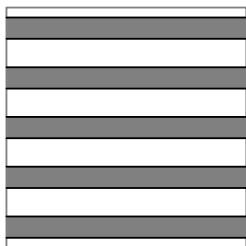


49 Life Sciences Parkway • Steinbach, MB R5G 2G7
Phone: 1-800-775-0018 • (204) 320-1801
Fax: (204) 346-1450
Email: info@urbanpark.com
Visit Us At: www.urbanpark.com

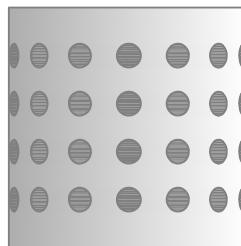
urban park

SPECIFICATION SHEET

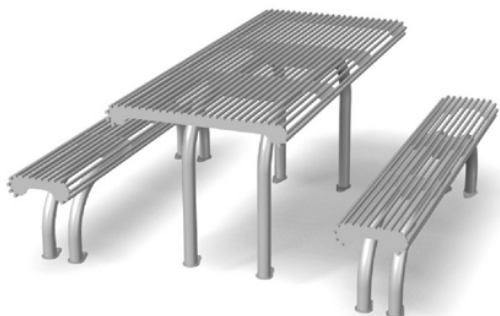
Belle Isle Series Picnic Table



Flat Bar



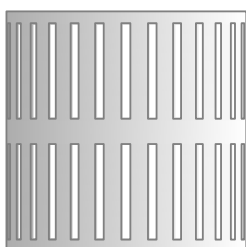
Embossed



Round Bar



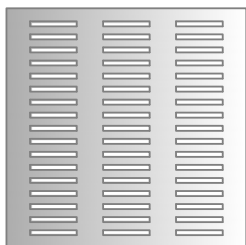
Perforated Mesh



Vertical Slot



Solid



Horizontal Slot



Custom