

49 Life Sciences Parkway • Steinbach, MB R5G 2G7
Phone: 1-800-775-0018 • (204) 320-1801
Fax: (204) 346-1450
Email: info@urbanpark.com
Visit Us At: www.urbanpark.com

urban park

SPECIFICATION SHEET

Denali Series Picnic Table

OPTION 'A' (Length)

- 4'-0"
- 6'-0"

OPTION 'B' (Seat Pan & Table Top)

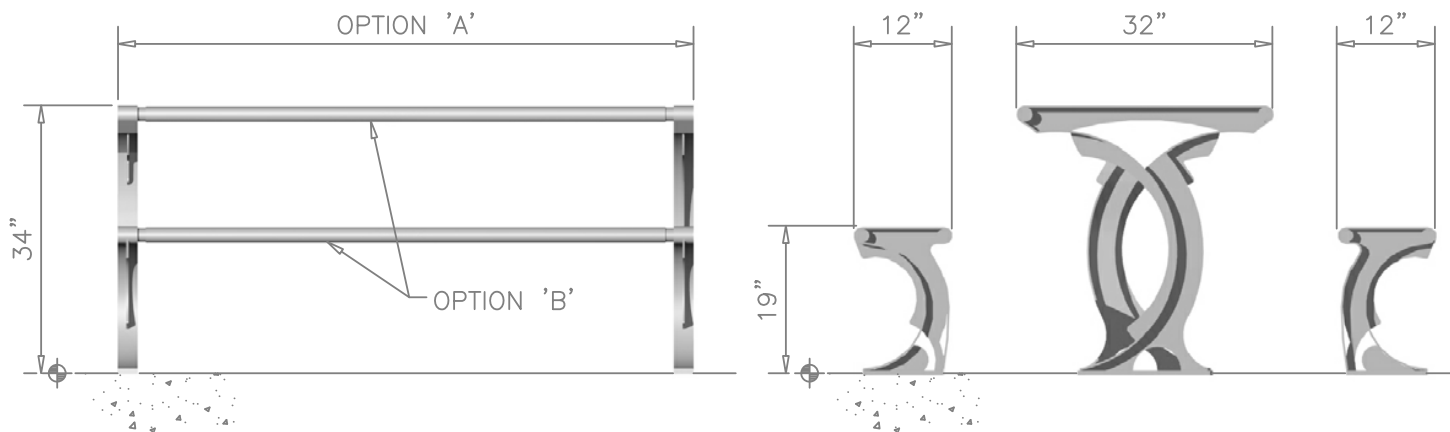
See Attached Page

OPTION 'C' (Finish)

- Galvanized
- Powder Coat (includes Autophoretic Coating)
- Stainless Steel # 4 Polish

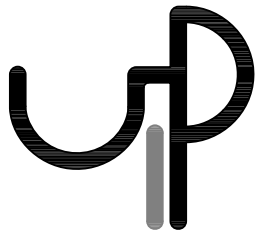
General Notes:

- 1.) Customer responsible for installation.
- 2.) Do not scale drawing.
- 3.) 6'-0" picnic table shown.



PICNIC TABLE

DENALI SERIES

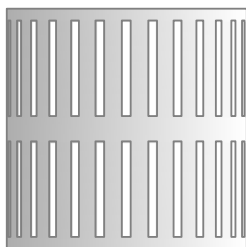


49 Life Sciences Parkway • Steinbach, MB R5G 2G7
Phone: 1-800-775-0018 • (204) 320-1801
Fax: (204) 346-1450
Email: info@urbanpark.com
Visit Us At: www.urbanpark.com

urban park

SPECIFICATION SHEET

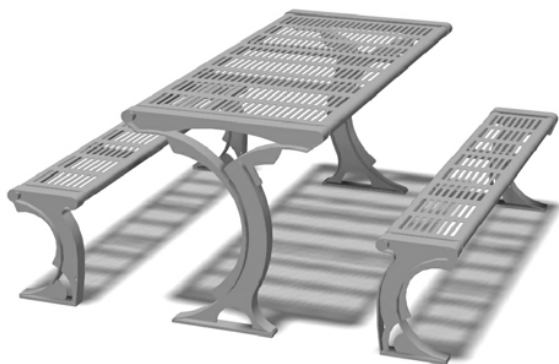
Denali Series Picnic Table



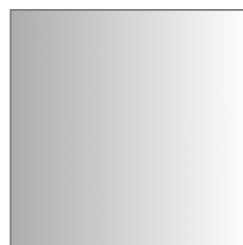
Vertical Slot



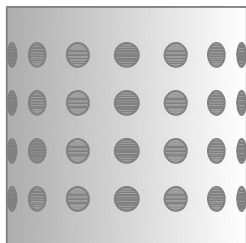
Perforated Mesh



Horizontal Slot



Solid



Embossed



Custom