

49 Life Sciences Parkway • Steinbach, MB R5G 2G7  
 Phone: 1-800-775-0018 • (204) 320-1801  
 Fax: (204) 346-1450  
 Email: info@urbanpark.com  
 Visit Us At: www.urbanpark.com

**urban park**

# SPECIFICATION SHEET

## Fairmont Series Picnic Table

### OPTION 'A' (Seats)

- 3 Seater
- 4 Seater
- 5 Seater
- 6 Seater

### OPTION 'B' (Seat)

- Backless
- With Back

### OPTION 'C' (Seat)

- Set Chairs
- Swivel Chairs

### OPTION 'D' (Seat Pan)

See Attached Page

### OPTION 'E' (Table Top)

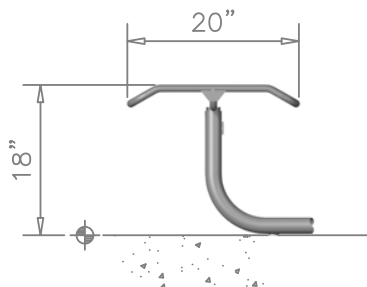
See Attached Page

### OPTION 'F' (Finish)

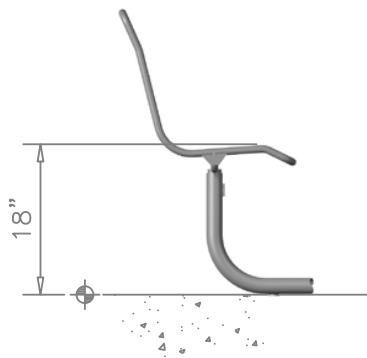
- Galvanized
- Powder (includes Autophoretic Coating)
- Stainless Steel # 4 Polish

### General Notes:

- 1.) Customer responsible for installation.
- 2.) Do not scale drawing.
- 3.) 6 seater picnic table, with perforated mesh seat pan with back and perforated table top shown.

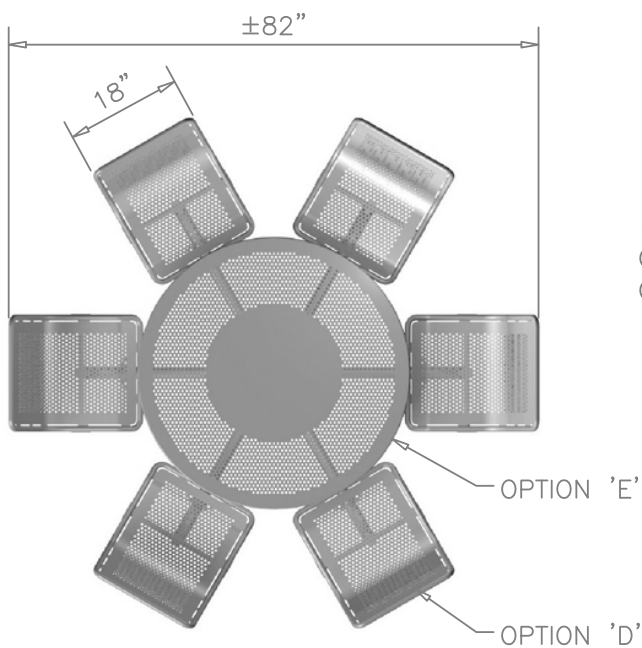
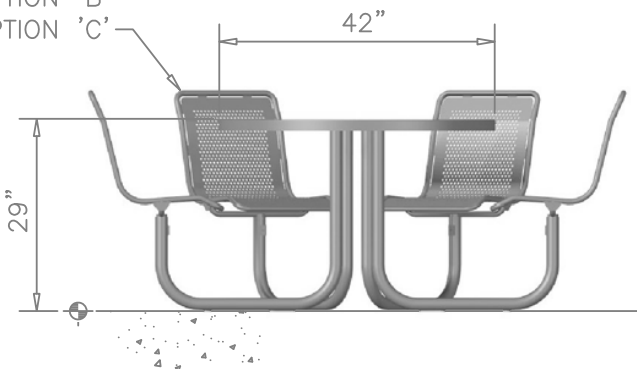


**BACKLESS**  
OPTION 'B'

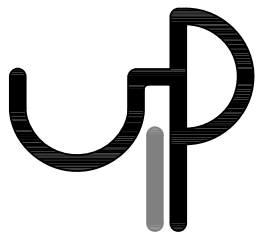


**WITH BACK**  
OPTION 'B'

OPTION 'A'  
OPTION 'B'  
OPTION 'C'



**PICNIC TABLE**  
FAIRMONT SERIES



49 Life Sciences Parkway • Steinbach, MB R5G 2G7  
Phone: 1-800-775-0018 • (204) 320-1801  
Fax: (204) 346-1450  
Email: [info@urbanpark.com](mailto:info@urbanpark.com)  
Visit Us At: [www.urbanpark.com](http://www.urbanpark.com)

**urban park**

## SPECIFICATION SHEET

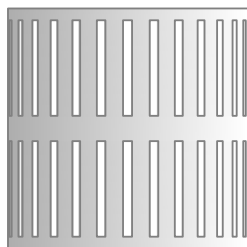
### Fairmont Series Picnic Table



Round Bar



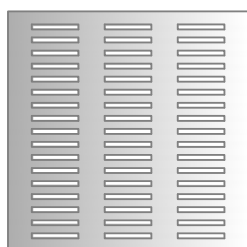
Perforated Mesh



Vertical Slot



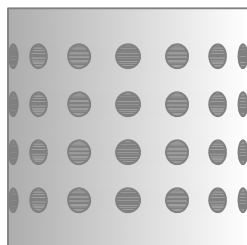
Solid



Horizontal Slot



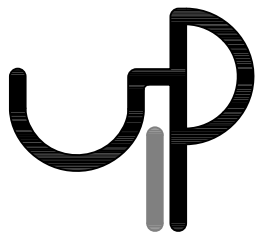
Wire Mesh



Embossed



Custom



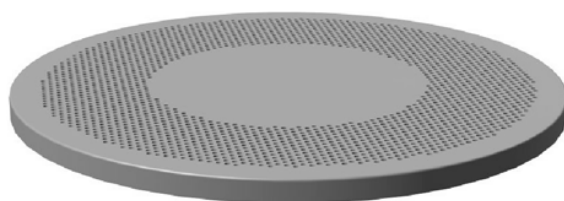
49 Life Sciences Parkway • Steinbach, MB R5G 2G7  
Phone: 1-800-775-0018 • (204) 320-1801  
Fax: (204) 346-1450  
Email: [info@urbanpark.com](mailto:info@urbanpark.com)  
Visit Us At: [www.urbanpark.com](http://www.urbanpark.com)

**urban park**

## SPECIFICATION SHEET

---

### Fairmont Series Picnic Table



Perforated Mesh



Solid